

LED Liquid Level Indicator

Introduction

LED Liquid level indicator is specially designed for lead acid storage battery. It is appropriate for indicating low liquid level inside the storage battery. The sensor part of this facility holds strong resistance to corrosion of acid liquid. And it is simply structured, easily installed and reliably operated.

Basic parameters

Voltage: 6-18VDC (not exceed 18V, unless the facility will be overburned)

Work temperature: (-20 to +40 degrees Celsius)

Liquid temperature: (- 40 to +85 degrees Celsius)

Mode of connection

Red wire connecting to positive pole of power supply

Black wire connecting to negative pole of power supply

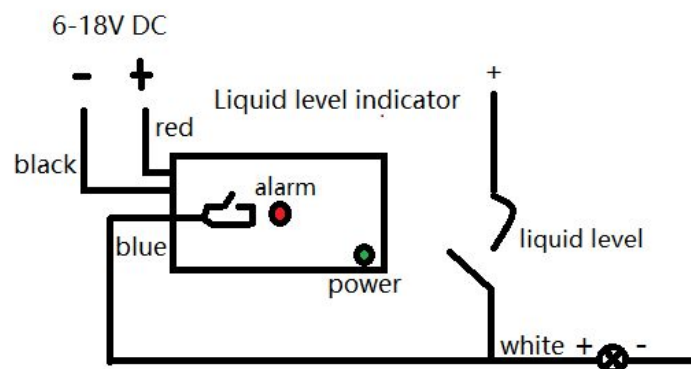
White wire connecting to positive pole of indicator input.

Assembly method

Please put the pole of blue wire into the vent plug of storage battery.

(In case the power supply system with several cells, the pole of blue wire must insert the cell with same output as the positive pole of battery.)

Please take off the wrap at the back of LED monitor, and stick the LED monitor tightly on the outer of the steel tray.



when the red light blinks, add purified water.